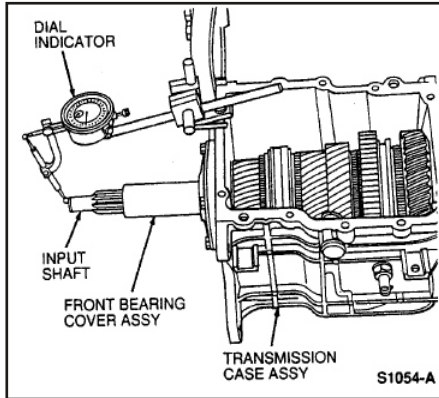
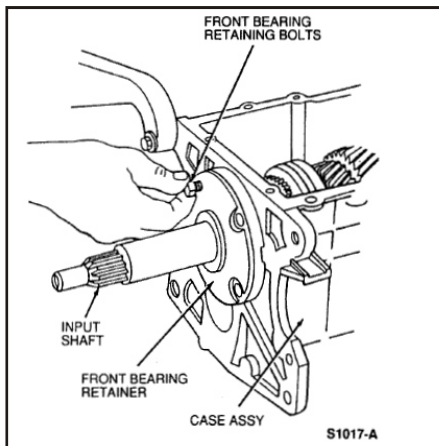


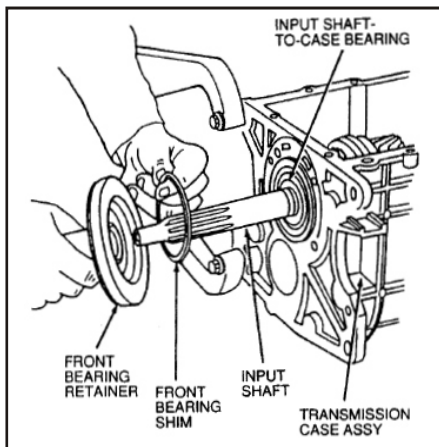
1. Prior to removal of input shaft bearing retainer, check end-play of input shaft using a universal dial indicator secured to the transmission. End-play is the axial or "In & Out" measurement, not vertical or "Up & Down". (Illustrations show front shift cover removed. It is not necessary to remove front shift cover for this procedure.)



2. Remove four front bearing retainer bolts.



3. Remove front bearing retainer.



Do not remove input shaft or use input shaft to remove front bearing retainer. Input Shaft contains individual needle bearings that can come loose and fall into unit.

4. Remove bearing race from retainer to access shims.

5. Clean both bearing retainer and the mating surface to remove gasket material.

6. Kit contains shims with the following thickness: .016, .020, .024, .028. Pick appropriate shim thickness to bring end-play to .000 to .004.

Note 1 - Always install thickest shim to the bearing race side, thinnest shim towards the retainer.

Note 2 - Original shims can be re-used if necessary to achieve proper end-play.

7. Re-install bearing race.

8. Install front bearing retainer without anaerobic sealant, install bolts and tighten to 12 to 16 lb.-ft. Check end-play using universal dial indicator secured to the transmission. Desired end-play is .000 to .004. Repeat Step 6 if necessary.

9. Once correct end-play is achieved, remove front bearing retainer. Check to make sure mating surfaces are oil-free. Apply a uniform film, not exceeding 0.01 in, of anaerobic sealant (Permatex or Loctite 518 or equivalent) material to front retainer. Re-install front bearing retainer, with lube port aligned to the corresponding lubrication passage at 12:00. Install retainer bolts and torque to 12 to 16 lbs.-ft.

10. Re-check end-play using universal dial indicator secured to the transmission. Desired end-play is .000 to .004.