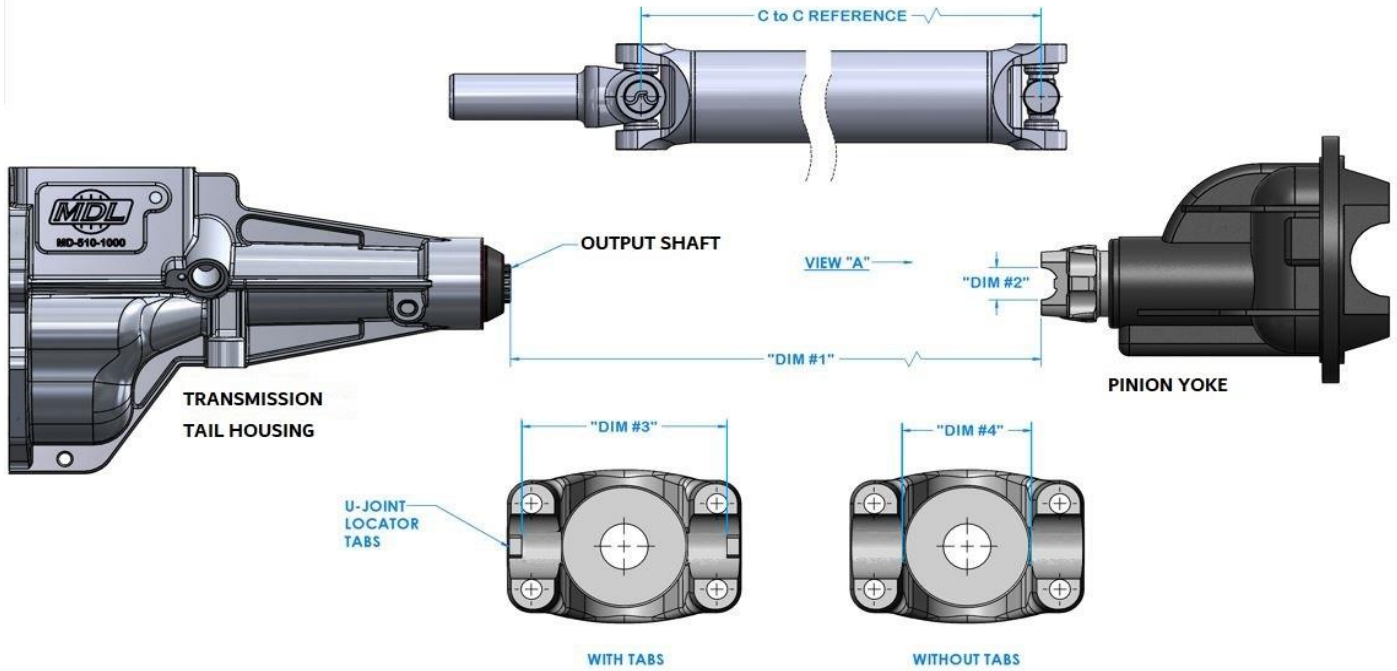




Phone: 208-453-9800
 Email: Sales@ModernDriveLine.com

“YOUR FIVE AND SIX SPEED CONVERSION SPECIALISTS”

MODERN DRIVELINE DRIVE SHAFT BUILD SHEET



TAKE MEASUREMENTS WITH VEHICLE AT RIDE HEIGHT

- DIM #1** OUTPUT SHAFT OF TRANSMISSION TO PINION YOKE FACE _____
- DIM #2** CAP SIZE OF THE REAR U-JOINT (PINION YOKE U-JOINT SADDLE) 1" 1-1/16", 1-1/8", 1-3/16"
- DIM #3** DISTANCE BETWEEN U-JOINT LOCATOR TABS 3-1/4", 3-5/8"
- DIM #4** IF NO LOCATOR TABS, INSIDE DISTANCE BETWEEN U-JOINT SADDLE 1-11/16" 2-1/8 2-9/16 2-5/8

COUNT THE NUMBER OF SPLINES ON THE TRANS OUTPUT SHAFT 27 28 31 32 Other _____

CHECK THE SHAFT MATERIAL YOU WISH TO PURCHASE.

- DOM Steel (Stock & Racing)
- 6061 T-6 ALUMINUM (Street Rod & Racing)
- Tube Diameter: 3.0" 3.5" 4.0" 5"

WHAT TYPE OF TRANSMISSION ARE YOU USING? _____

NAME _____

ADDRESS _____ STATE _____, ZIP _____

PHONE NUMBER _____